



16 oz Pathology Container (Short)

Product Code: 0416-1100

General Description

Color: Translucent
Body Diameter: 117.5 mm
Body Height: 76.0 mm

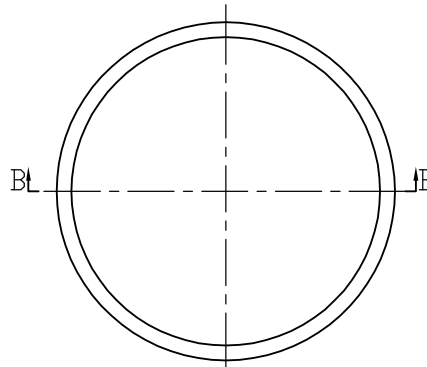
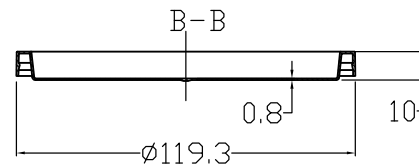
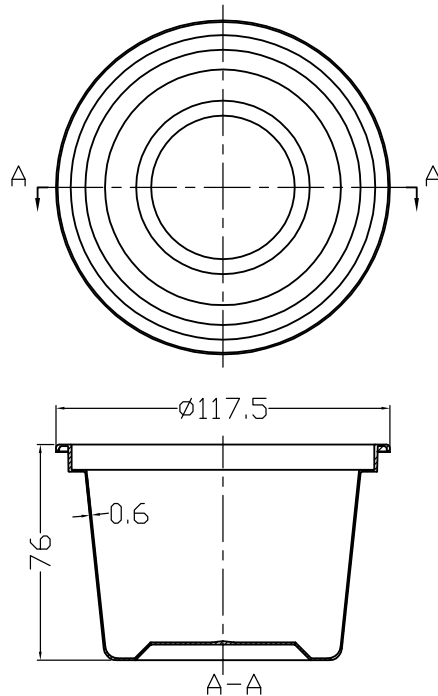
- Snap-on lid creates secure seal
- Shatter-resistant, translucent body allows for easy viewing

Material:

HDPE, FDA Certified
Country of Origin: China
Product is recyclable



Case: 100 pc/case
Packaged: 100 Bagged
Case Dimensions: 19.25 x 10 x 10.75
Case Weight: 9.15 lbs
Cube Dimension: 1.18
Cases per Skid: 60



Manufactured by Oak Ridge Products, LLC
FDA Manufacturing Facility Registration
#1419823 & 3006060667

Product dimensions listed are in millimeters