



16 oz Pathology Container (Tall)

Product Code: 0417-1100

General Description

Color: Translucent
 Body Diameter: 92.7 mm
 Body Height: 94.1 mm

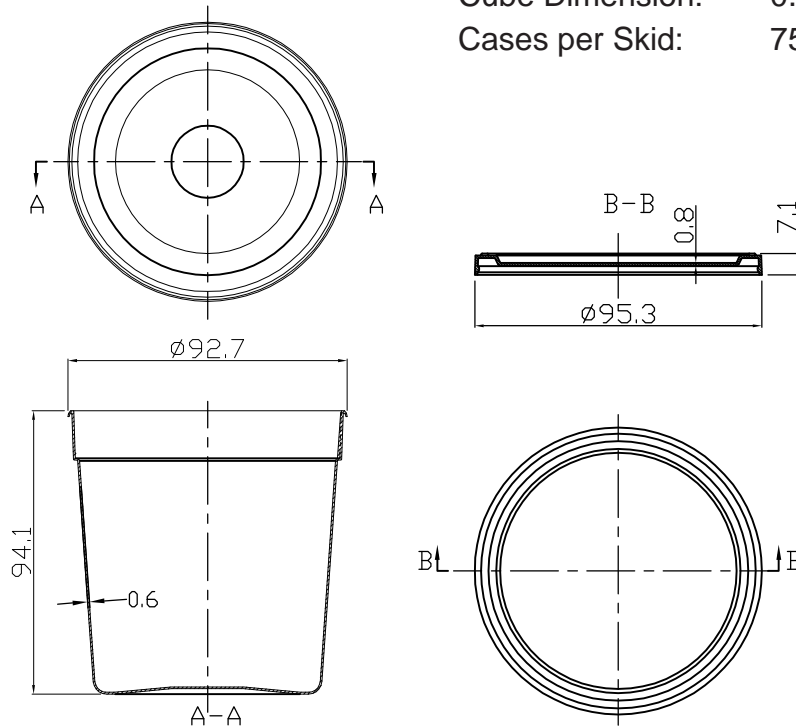
- Snap-on lid creates secure seal
- Shatter-resistant, translucent body allows for easy viewing

Material:

HDPE, FDA Certified
 Country of Origin: China
Product is recyclable



Case: 100 pc/case
 Packaged: 100 Bagged
 Case Dimensions: 15.25 x 7.50 x 14.75"
 Case Weight: 7.3 lbs
 Cube Dimension: 0.98
 Cases per Skid: 75



Manufactured by Oak Ridge Products, LLC
 FDA Manufacturing Facility Registration
 #1419823 & 3006060667

Product dimensions listed are in millimeters

OAK RIDGE PRODUCTS, LLC.
 ALL RIGHTS RESERVED

US:888-650-7444 INT'L:001-815-363-4700
 WWW.OAKRIDGEPRODUCTS.COM

REV. 1/10/14