



# 64 oz Pathology Container

Product Code: 0464-1100



## General Description

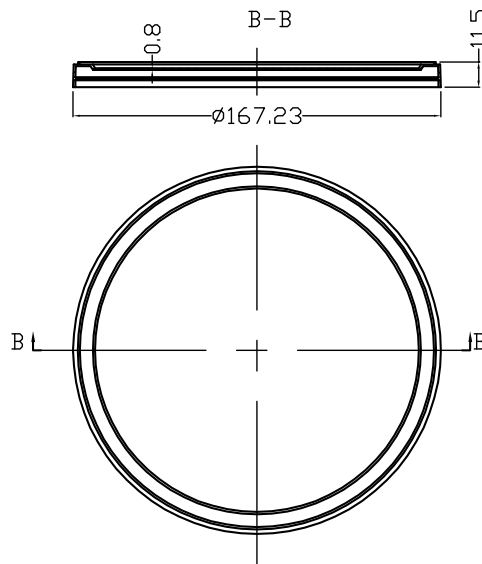
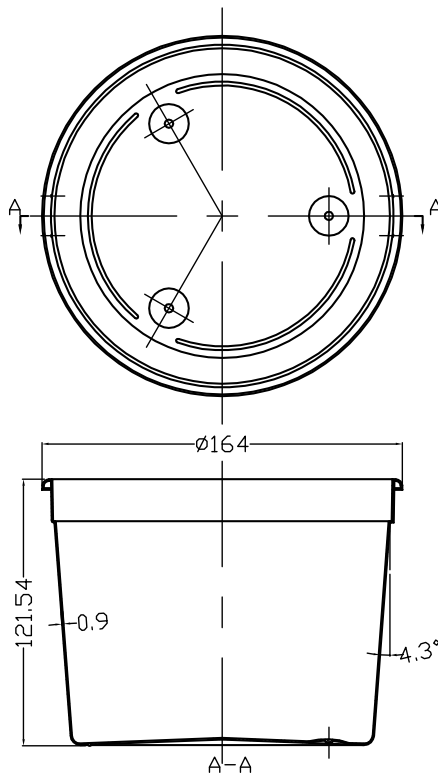
Color: Translucent  
Body Diameter: 164 mm  
Body Height: 121.54 mm

- Snap-on lid creates secure seal
- Shatter-resistant, translucent body allows for easy viewing

## Material:

HDPE, FDA Certified  
Country of Origin: China  
*Product is recyclable*

Case: 50 pc/case  
Packaged: 50 Bagged  
Case Dimensions: 20 x 13.75 x 13.50"  
Case Weight: 11.1 lbs  
Cube Dimension: 2.15  
Cases per Skid: 30



Manufactured by Oak Ridge Products, LLC  
FDA Manufacturing Facility Registration  
#1419823 & 3006060667

Product dimensions listed are in millimeters