



# 85 oz Pathology Container

Product Code: 0485-1100

## Product Details

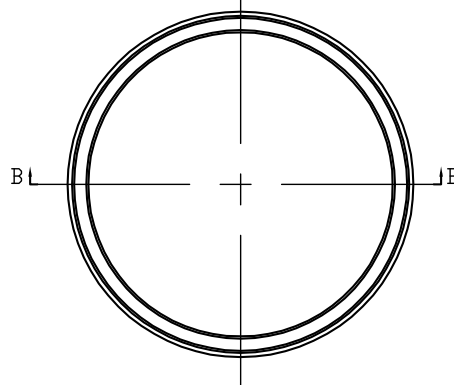
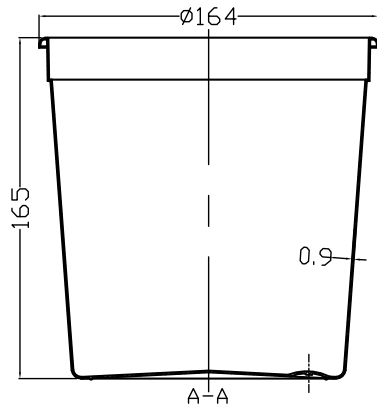
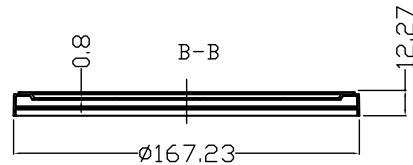
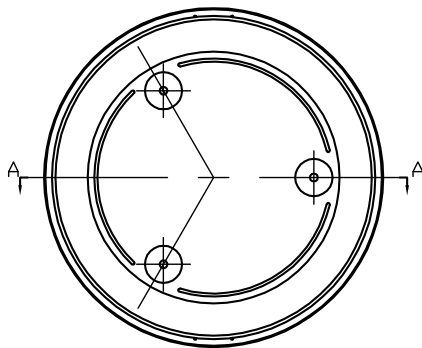
- Color: Translucent  
Body Diameter: 164 mm  
Body Height: 165 mm
- Snap-on lid creates secure seal
  - Shatter-resistant, translucent body allows for easy viewing

### Material:

HDPE, FDA Certified  
Country of Origin: China  
*Product is recyclable*



- Case: 50 pc/case  
Packaged: 50 Bagged  
Case Dimensions: 20 x 13.50 x 15.25"  
Case Weight: 12.85 lbs  
Cube Dimension: 2.38  
Cases per Skid: 30



Manufactured by Oak Ridge Products, LLC  
FDA Manufacturing Facility Registration  
#1419823 & 3006060667

Product dimensions listed are in millimeters

OAK RIDGE PRODUCTS, LLC.  
ALL RIGHTS RESERVED

US:888-650-7444 INT'L:001-815-363-4700  
WWW.OAKRIDGEPRODUCTS.COM

REV. 1/10/14