



1 Gallon Rotary Lid Sharps

Product Code: 0319-150R

General Description

- Designed for Multi purpose use.
- Rotary Lid maximizes usable container volume for larger sharps
- Shatter & Puncture-resistant
- Locks for final disposal

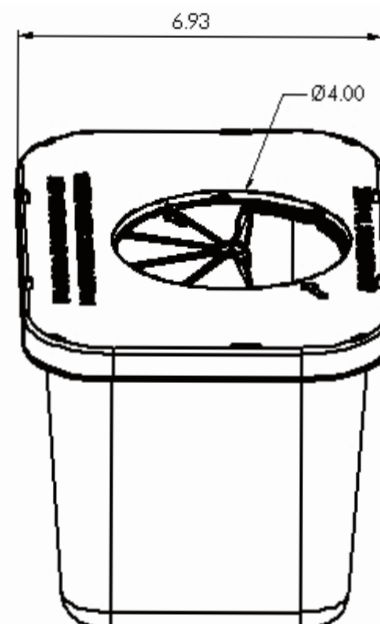
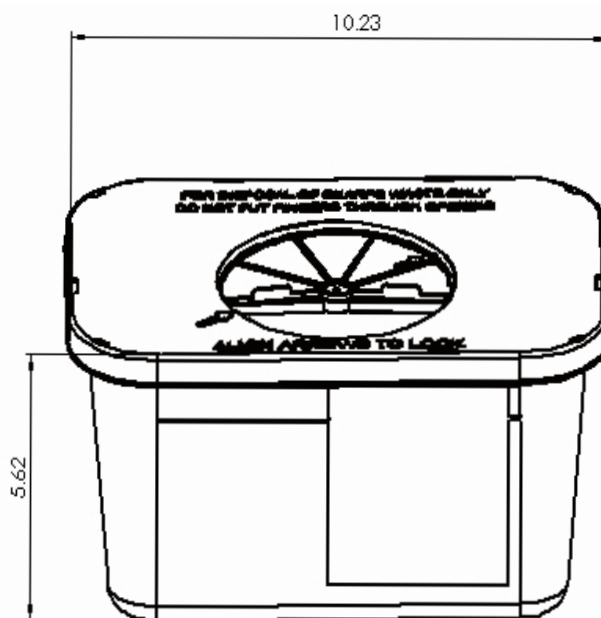
Material:

High Impact Polypropylene
Country of Origin: China

Product is recyclable

Packing Details

Case:	40 each/case
Packaged:	Bulk, Nested
Case Dimensions:	22.25 x 21.375 x 17"
Case Weight:	28 lbs
Cube Dimension:	4.6
Cases per Skid:	24



Manufactured by Oak Ridge Products, LLC
FDA Manufacturing Facility Registration
#1419823 & 3006060667

Product dimensions listed are in inches

OAK RIDGE PRODUCTS, LLC.
ALL RIGHTS RESERVED

US:888-650-7444 INT'L:001-815-363-4700
WWW.OAKRIDGEPRODUCTS.COM

REV. 1/10/14