



1000cc Triangular Graduated beaker

Product Code:

0410-1100 (PP)

0410-4100 (PS)



General Description

- Graduated in ounces (2-32, 2 oz increments) and in CC's (50-1000, 50cc increments)
- Easy-to-handle shape
- Frosted panel for easy labeling
- Bulk packaged, Non-Sterile

Color: Translucent

Body Diameter: 15.9 mm

Body Height: 114.2 mm

Material:

Polypropylene, FDA Certified

Polystyrene, FDA Certified

Country of Origin: China

Product is recyclable

Case: 200 pc/case

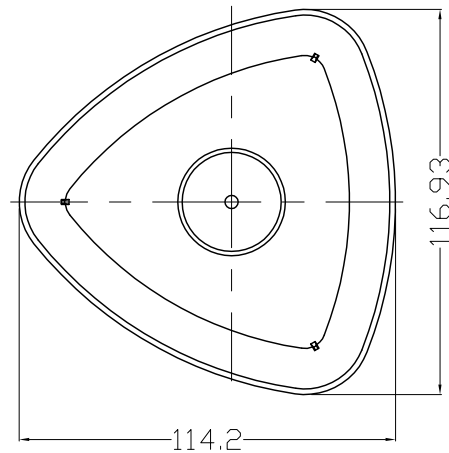
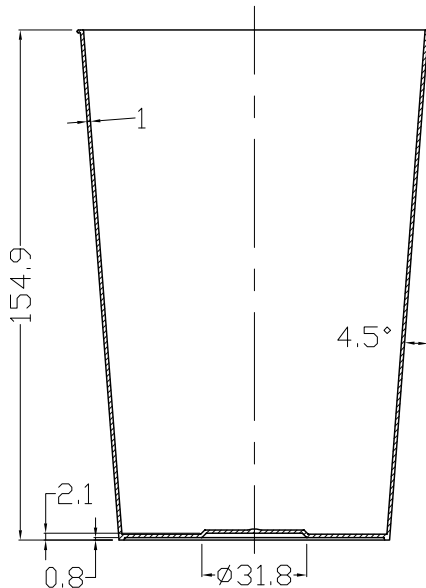
Packaged: 10 sleeves of 20

Case Dimensions: 21.25 x 10 x 16.25"

Case Weight: 20.65 lbs

Cube Dimension: 2.00

Cases per Skid: 24



Manufactured by Oak Ridge Products, LLC
 FDA Manufacturing Facility Registration
 #1419823 & 3006060667

Dimensions listed are in millimeters