



# 6.5 oz Urine Cup

**Product Code:**

0465-1100 (PP)

0465-4100 (PS)

## General Description

- Packaged in convenient sleeves of 25 graduated in ounces, cc & ml

- Bulk packaged, Non-Sterile

Color: Translucent

Body Diameter: 72.0 mm

Body Height: 87.0 mm

**Material:**

PP, FDA Certified

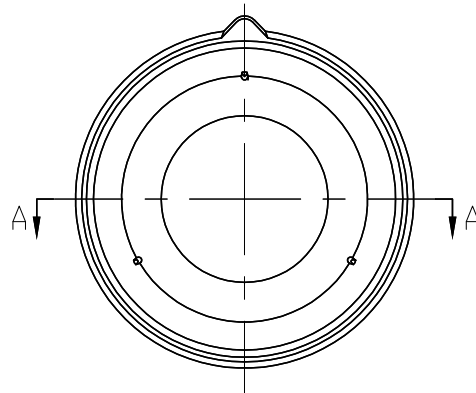
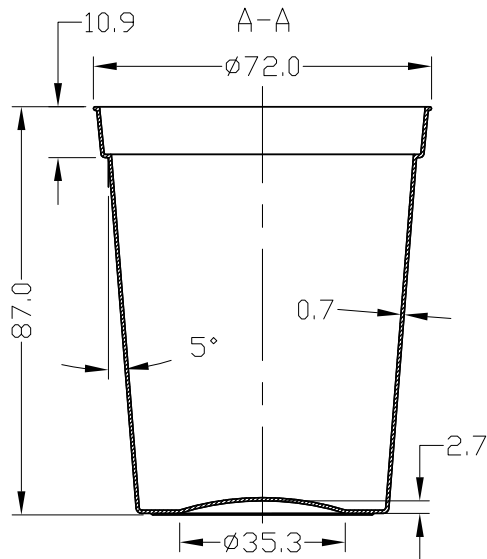
PS, FDA Certified

Country of Origin: China

*Product is recyclable*



Case:	500 pc/case
Packaged:	20 sleeves of 25
Case Dimensions:	PP: 14.50 x 11.75 x 14"
	PS: 15.25 x 12 x 17"
Case Weight:	PP: 13.75 lbs
	PS: 21.25 lbs
Cube Dimension:	PP: 1.38
	PS: 1.80
Cases per Skid:	PP: 45
	PS: 36



**Manufactured by Oak Ridge Products, LLC**  
 FDA Manufacturing Facility Registration  
 #1419823 & 3006060667

Product dimensions listed are in millimeters

OAK RIDGE PRODUCTS, LLC.  
 ALL RIGHTS RESERVED

US:888-650-7444 INT'L:001-815-363-4700  
 WWW.OAKRIDGEPRODUCTS.COM

REV. 1/10/14