



# 500cc Emesis Basin

## Product Code:

0305-0500 (Mauve)

0305-0600 (Gold)

## General Description

- Ideal for containing fluids, measuring routine, and oral care
- Molded from Polypropylene
- Calibrated in cc's and ounces



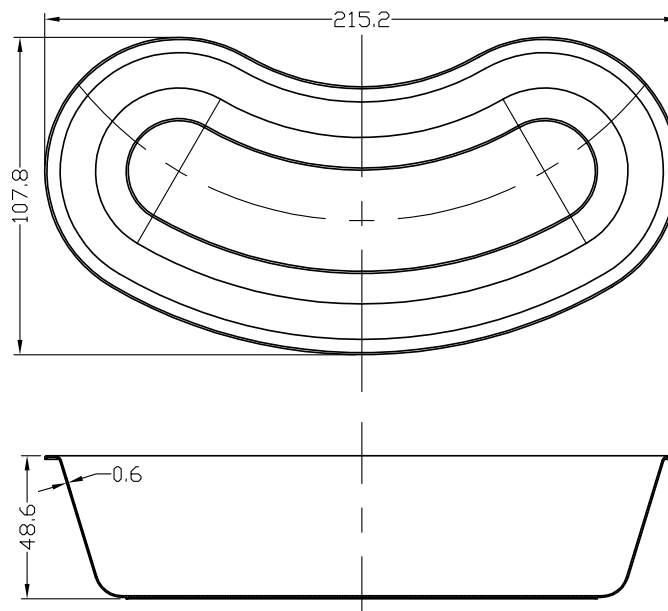
## Material:

Polypropylene, FDA Certified

Country of Origin: China

*Product is Recyclable*

Case:	250 pc/case
Packaged:	250 Bagged
Case Dimensions:	21 x 9 x 7.25"
Case Weight:	10.6 lbs.
Cube Dimension:	0.79
Cases per Skid:	90



Manufactured by Oak Ridge Products, LLC  
FDA Manufacturing Facility Registration  
#1419823 & 3006060667

Product dimensions listed are in millimeters

OAK RIDGE PRODUCTS, LLC.  
ALL RIGHTS RESERVED

US:888-650-7444 INT'L:001-815-363-4700  
WWW.OAKRIDGEPRODUCTS.COM

REV. 1/10/14