



# Shave Prep Razor

Product Code: 0701-5800

## General Description

- Prep razor - Double Sided
- Case Pack 100 Razors
- Safety Blade Cover

### **Material:**

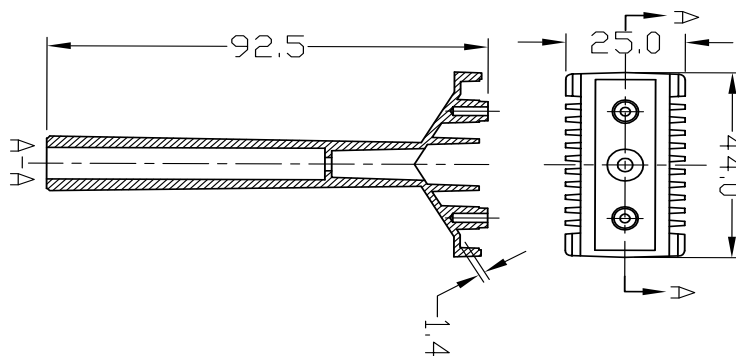
HIPS, FDA Certified

Country of Origin: China

*Product is recyclable*

## Packing Details

Case:	100 pc/ctn
Packaged:	100 boxed
Case Dimensions:	9 x 12 x 9"
Case Weight:	3.2 lbs
Cube Dimension:	0.56
Cases per Skid:	160



**Manufactured by Oak Ridge Products, LLC**  
FDA Manufacturing Facility Registration  
#1419823 & 3006060667

Dimensions listed are in millimeters

OAK RIDGE PRODUCTS, LLC.  
ALL RIGHTS RESERVED

US:888-650-7444 INT'L:001-815-363-4700  
WWW.OAKRIDGEPRODUCTS.COM

REV. 1/10/14