



1oz Graduated Economy Med Cups

Product Code: 0103-0100

General Description

Graduations:

ounces: 1/8, 1/4, 1/2, 3/4, 1
drams: 1 – 8
tablespoons: 1, 2,
teaspoons: 1/2, 1
dssp: 1
cc: 2.5, 5, 7.5, 10, 12.5, 15, 20, 25, 30
milliliters: 2.5, 5, 7.5, 10, 12.5, 15, 20,



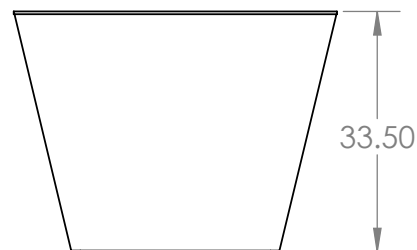
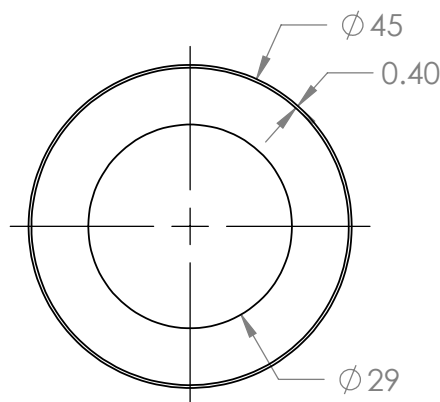
Material:

Polypropylene, FDA Certified

Country of Origin: China

Product is recyclable

Case:	5000 pc/case
Packaged:	50 sleeves of 100
Case Dimensions:	18 x 9.25 x 10"
Case Weight:	19.45 lbs
Cube Dimension:	0.96
Cases per Skid:	70



Manufactured by Oak Ridge Products, LLC
FDA Manufacturing Facility Registration
#1419823 & 3006060667

Dimensions listed are in millimeters

OAK RIDGE PRODUCTS, LLC.
ALL RIGHTS RESERVED

WWW.OAKRIDGEPRODUCTS.COM

US:888-650-7444 INT'L:001-815-363-4700
REV. 1/10/14