



# 12x75mm Tube (no cap)

**Product Code:** 0212-0100



Filled with dye to illustrate details

## General Description

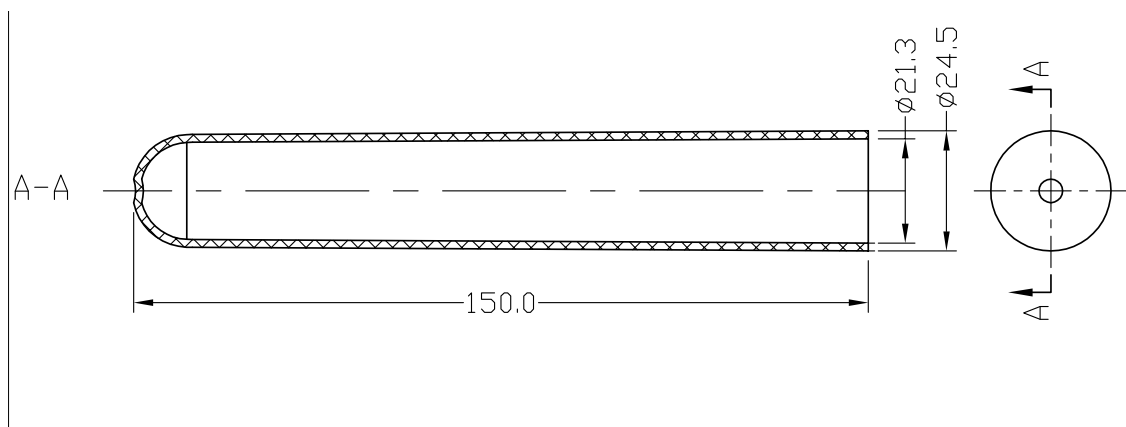
- Round bottom tube for various testing applications
- For general sample collection, storage, transport, & processing

### **Material:**

Polypropylene, FDA Certified  
Country of Origin: China  
*Product is recyclable*

## Packing Details

Case:	2000 pc/ctn
Packaged:	8 Bags of 250
Case Dimensions:	18.75 x 15 x 7.50
Case Weight:	9 lbs
Cube Dimension:	1.20
Cases per Skid:	60



**Manufactured by Oak Ridge Products, LLC**  
FDA Manufacturing Facility Registration  
#1419823 & 3006060667

Product dimensions listed are in millimeters

OAK RIDGE PRODUCTS, LLC.  
ALL RIGHTS RESERVED

US:888-650-7444 INT'L:001-815-363-4700  
WWW.OAKRIDGEPRODUCTS.COM

REV. 1/10/14