



# 30 ml Vial

**Product Code:**

0630-0300 (White cap)

0630-0400 (Blue cap)



## General Description

- Ideal for general purpose storage and transportation
- Conical bottom for centrifuge
- Cap & vial packaged separately

**Material:**

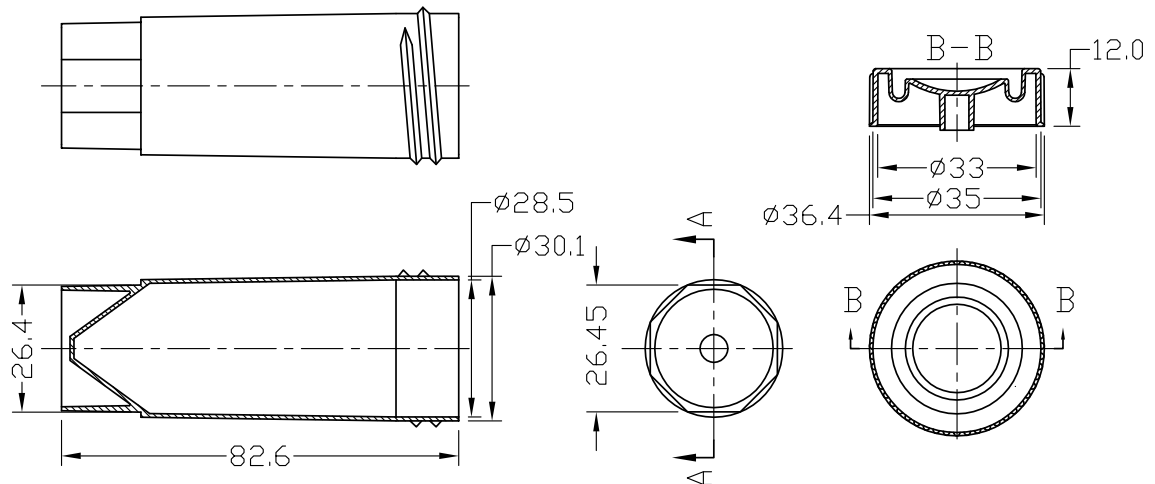
Polypropylene Body, FDA Certified

HDPE Cap, FDA Certified

Country of Origin: China

*Product is recyclable*

Case:	500 pc/case
Packaged:	500 Bagged
Case Dimensions:	12.50 x 12.50 x 21.25"
Case Weight:	13..8 lbs.
Cube Dimension:	1.92
Cases per Skid:	36



Manufactured by Oak Ridge Products, LLC  
FDA Manufacturing Facility Registration  
#1419823 & 3006060667

Dimensions listed are in millimeters

OAK RIDGE PRODUCTS, LLC.  
ALL RIGHTS RESERVED

WWW.OAKRIDGEPRODUCTS.COM

US:888-650-7444 INT'L:001-815-363-4700  
REV. 1/10/14