



## 2oz Medicine Cups

Product Code: 0102-0100

### General Description

#### **Graduations:**

ounces: 1/4, 1/2, 1, 1-1/2, 2  
cc's: 5, 15, 30, 45, 60  
shown on two sides

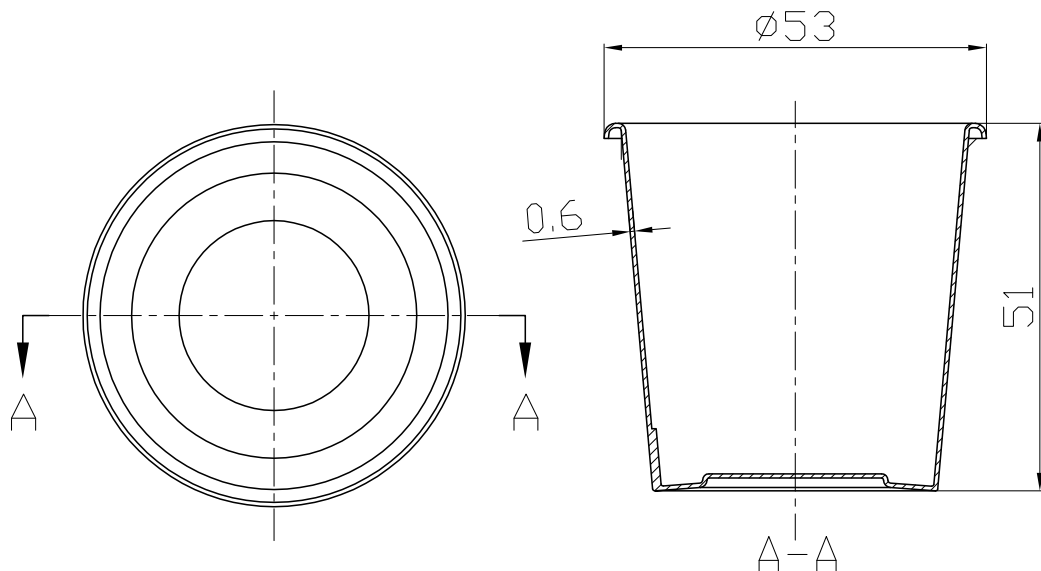


#### **Material:**

Polypropylene, FDA Certified  
Country of Origin: China  
*Product is recyclable*

### Packing Details

Case:	1000 pc/case
Packaged:	20 sleeves of 50
Case Dimensions:	10.50 x 9 x 18.50
Case Weight:	9.6
Cube Dimension:	1.01
Cases per Skid:	60



Manufactured by Oak Ridge Products, LLC  
FDA Manufacturing Facility Registration  
#1419823 & #3006060667

Product dimensions listed are in millimeters