



# 1000 ml Histology Container

**Product Code:**

0629-1300 (White cap)

0629-1600 (Yellow cap)

**General Description**

- Ideal for specimens and general purpose storage and transportation
- Shatter-resistant, translucent body
- Screw on lid creates secure seal

**Material:**

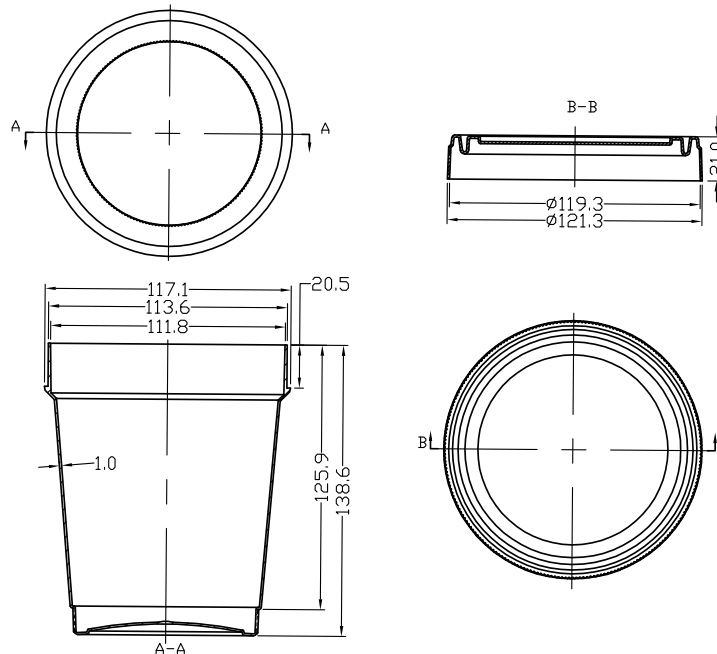
Polypropylene Body, FDA Certified  
 HDPE Cap, FDA Certified

Country of Origin: China

*Product is recyclable*



Case:	100 pc/case
Packaged:	10/sleeve, 10 sleeves
Case Dimensions:	23.50 x 9.50 x 21.50"
Case Weight:	21.8 lbs.
Cube Dimension:	2.78
Cases per Skid:	24



Manufactured by Oak Ridge Products, LLC  
 FDA Manufacturing Facility Registration  
 #1419823 & 3006060667

Dimensions listed are in millimeters

OAK RIDGE PRODUCTS, LLC.  
 ALL RIGHTS RESERVED

US:888-650-7444 INT'L:001-815-363-4700  
 WWW.OAKRIDGEPRODUCTS.COM

REV. 1/10/14