



# 5qt M-Style Sharps Container

Product Code: 0354-150M

## General Description

- Designed for in unsupervised patient areas
- Puncture-resistant , transparent body allows for easy viewing

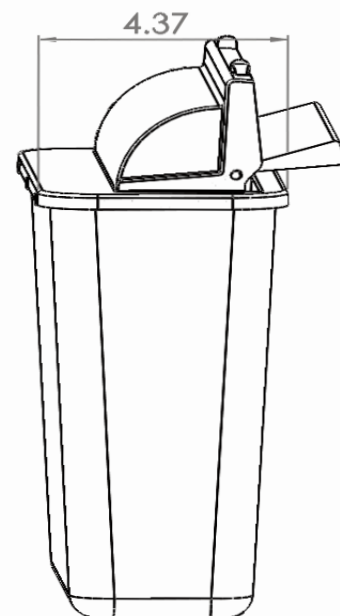
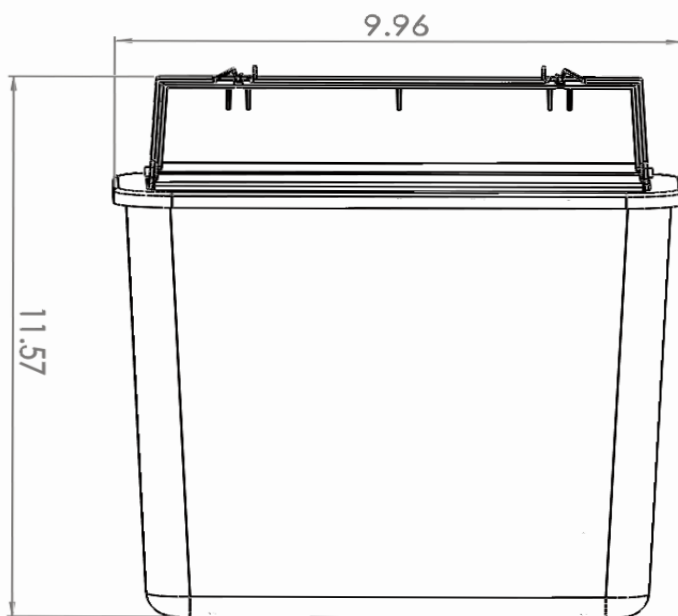
### **Material:**

High Impact Polypropylene  
Country of Origin: China

*Product is recyclable*

## Packing Details

|                  |                       |
|------------------|-----------------------|
| Case:            | 20 each/case          |
| Packaged:        | Each                  |
| Case Dimensions: | 23.75 x 17.25 x 11.5" |
| Case Weight:     | 17 lbs                |
| Cube Dimension:  | 2.72                  |
| Cases per Skid:  | 24                    |



Manufactured by Oak Ridge Products, LLC  
FDA Manufacturing Facility Registration  
#1419823 & 3006060667

Product dimensions listed are in inches

OAK RIDGE PRODUCTS, LLC.  
ALL RIGHTS RESERVED

US:888-650-7444 INT'L:001-815-363-4700  
WWW.OAKRIDGEPRODUCTS.COM

REV. 1/10/14