



# 1oz Shot Glass

Product Code: 0101-4200

## General Description

1oz Capacity  
Crystal Clear Shot Glass with frosted rim

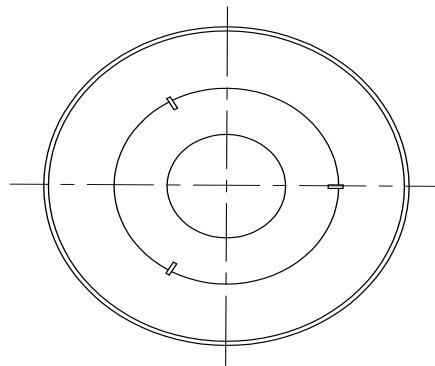
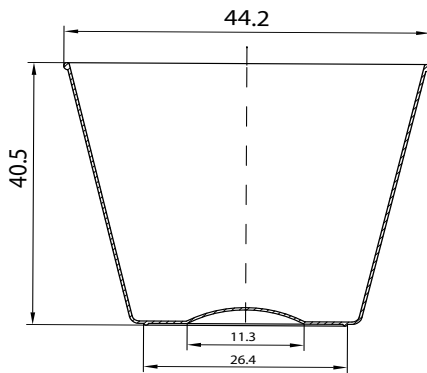
### **Material:**

Polystyrene, FDA Certified  
Country of Origin: China  
*Product is recyclable*



## Packing Details

Case:	2500 pc/case
Packaged:	50 sleeves of 50
Case Dimensions:	18 x 9.75 x 10.50"
Case Weight:	19.9 lbs
Cube Dimension:	1.07
Cases per Skid:	60



Manufactured by Oak Ridge Products, LLC  
FDA Manufacturing Facility Registration  
#1419823 & 3006060667

Dimensions listed are in millimeters

OAK RIDGE PRODUCTS, LLC.  
ALL RIGHTS RESERVED

US:888-650-7444 INT'L:001-815-363-4700  
WWW.OAKRIDGEPRODUCTS.COM

REV. 1/10/14