



## 3/4oz Plastic Souffle

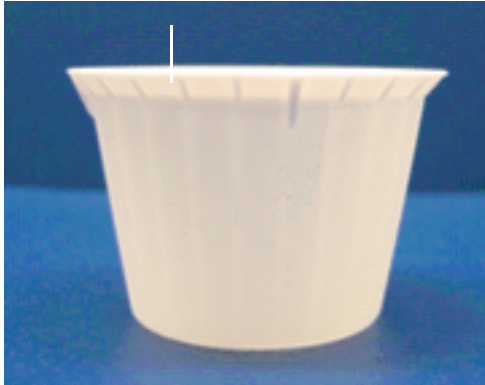
**Product Code:** 0106-0100(Translucent)  
**Product Code:** 0106-0300 (White)  
**Product Code:** 0106-0900 (Paper White)

### General Description

- Direct substitute for paper portion cups
- Flexible, smooth edges, easy on sensitive lips
- Won't saturate with liquids or condiments like paper cups
- Better for pill crushing, powder doesn't stick to inside cup
- Microwavable(unlike paper cups)

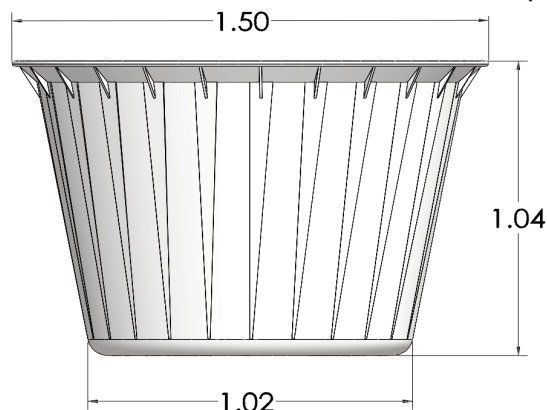
### **Material:**

Polypropylene, FDA Certified  
Country of Origin: China  
*Product is recyclable*



### Packing Details

Case:	5000 pc/case
Packaged:	50 sleeves of 100
Case Dimensions:	15.25 x 7.75 x 13"
Case Weight:	12.4 lbs
Cube Dimension:	0.89
Cases per Skid:	75



**Manufactured by Oak Ridge Products, LLC**  
FDA Manufacturing Facility Registration  
#1419823 & 3006060667

Dimensions listed are in millimeters

OAK RIDGE PRODUCTS, LLC.  
ALL RIGHTS RESERVED

US:888-650-7444 INT'L:001-815-363-4700  
WWW.OAKRIDGEPRODUCTS.COM

REV. 1/10/14