



# 4 oz Pathology Container (Short)

Product Code: 0404-1100

## General Description

Color: Translucent  
Body Diameter: 74.11mm  
Body Height: 56.7mm

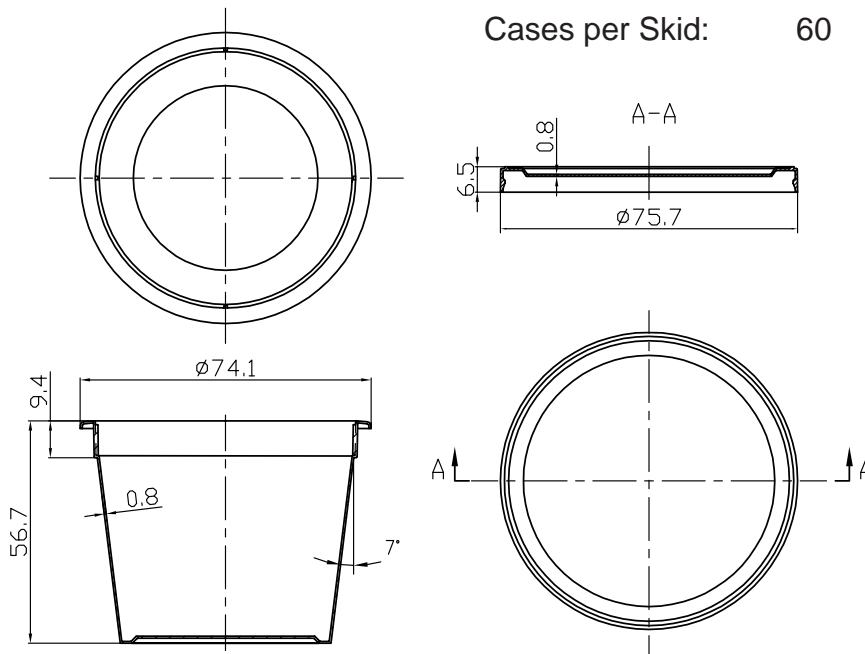
- Snap-on lid creates secure seal
- Shatter-resistant, translucent body allows for easy viewing

### Material:

HDPE, FDA Certified  
Country of Origin: China  
*Product is recyclable*



Case: 250 pc/case  
 Packaged: 250 Bagged  
 Case Dimensions: 15.25 x 6.50 x 16.75"  
 Case Weight: 7.7 lbs  
 Cube Dimension: 0.96  
 Cases per Skid: 60



Manufactured by Oak Ridge Products, LLC  
FDA Manufacturing Facility Registration  
#1419823 & 3006060667

Dimensions listed are in millimeters