



# 5 Quart B-Style Sharps Container

**Product Code:**

0354-150B - Red

**Product Code:**

0354-110B - Translucent



## General Description

- Designed for in room use, mounted on wall or cabinet.
- Shatter & Puncture-resistant
- Locks for final disposal
- Available Colors: Red & Translucent

### **Material:**

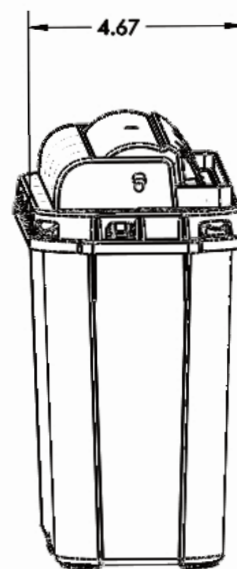
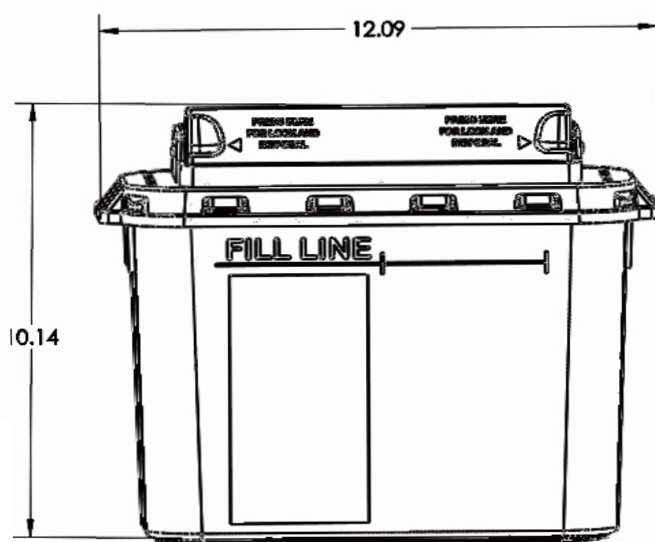
High Impact Polypropylene

Country of Origin: China

*Product is recyclable*

## **PACKING DETAILS**

Case:	20 each/case
Packaged:	Bulk, Nested
Case Dimensions:	27.50 x 18.25 x 12.5"
Case Weight:	18.7 lbs
Cube Dimension:	2.73
Cases per Skid:	32



**Manufactured by Oak Ridge Products, LLC**  
 FDA Manufacturing Facility Registration  
 #1419823 & 3006060667

Product dimensions listed are in millimeters